



## TOPCHESTS & MIDCHESTS

### 1. SAFETY

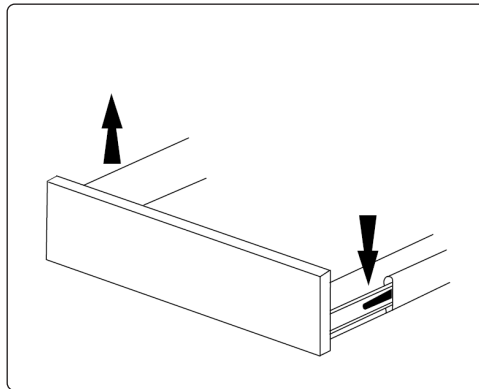
- × To avoid tipping, **DO NOT** open more than one drawer at a time.
- × **DO NOT** climb on the drawers.
- ✓ Close and secure all drawers when moving.

### 2. OPERATION

- 2.1 To remove a drawer with roller sliders, pull the drawer completely out, press down the right tab and lift up the left tab, pull drawer off the slides.  
To reinstall the drawer, realign with the internal drawer slide and push until it locks in place.

### 3. MAINTENANCE

- 3.1 Lubricate slides periodically.



#### ENVIRONMENT PROTECTION

Recycle unwanted materials instead of disposing of them as waste. All tools, accessories and packaging should be sorted, taken to a recycling centre and disposed of in a manner which is compatible with the environment. When the product becomes completely unserviceable and requires disposal, drain any fluids (if applicable) into approved containers and dispose of the product and fluids according to local regulations.

**Note:** It is our policy to continually improve products and as such we reserve the right to alter data, specifications and component parts without prior notice.

**Important:** No Liability is accepted for incorrect use of this product.

**Warranty:** Guarantee is 12 months from purchase date, proof of which is required for any claim.

Jack Sealey Ltd t/a Sealey Group, Kempson Way, Suffolk Business Park, Bury St Edmunds, Suffolk, IP32 7AR UK  
Jack Sealey (EU) Ltd t/a Sealey Group, Farney Street, Carrickmacross, Co. Monaghan, A81 PK68 Ireland  
Tel: 01284 757500 • Email: sales@sealey.co.uk • Web: www.sealey.co.uk